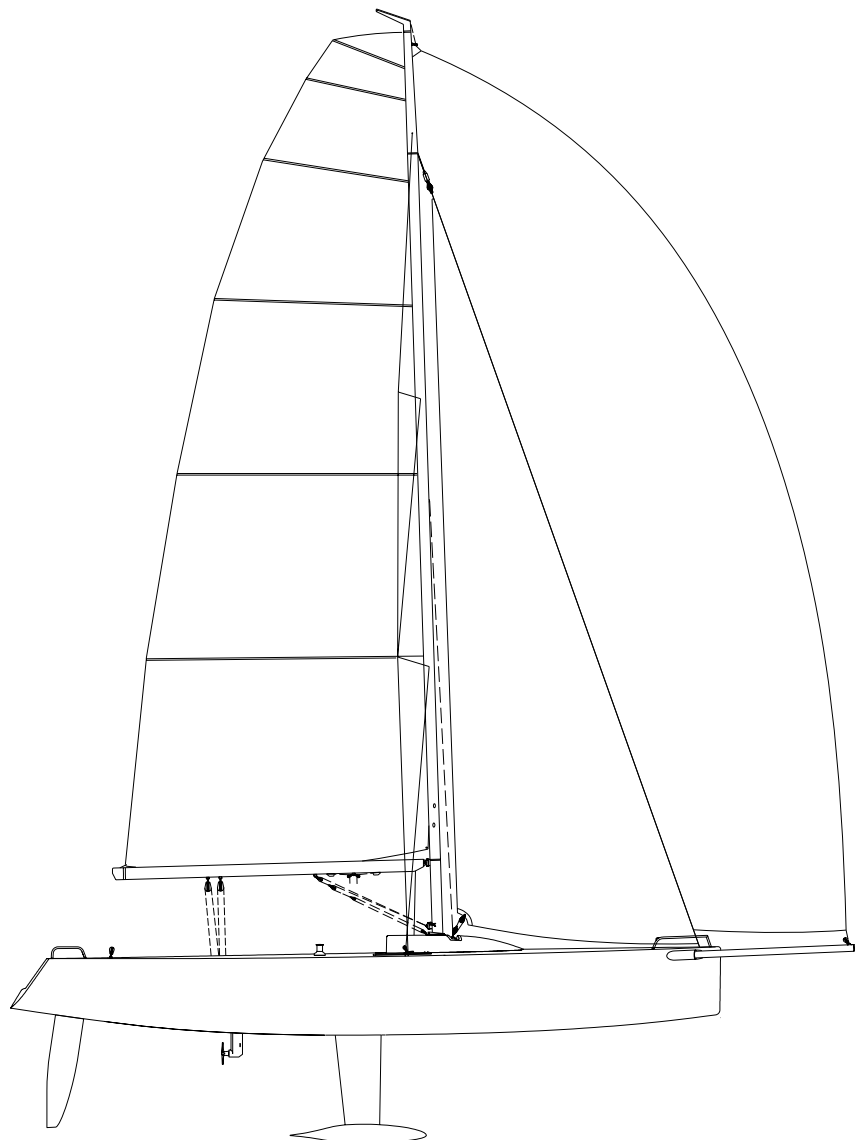


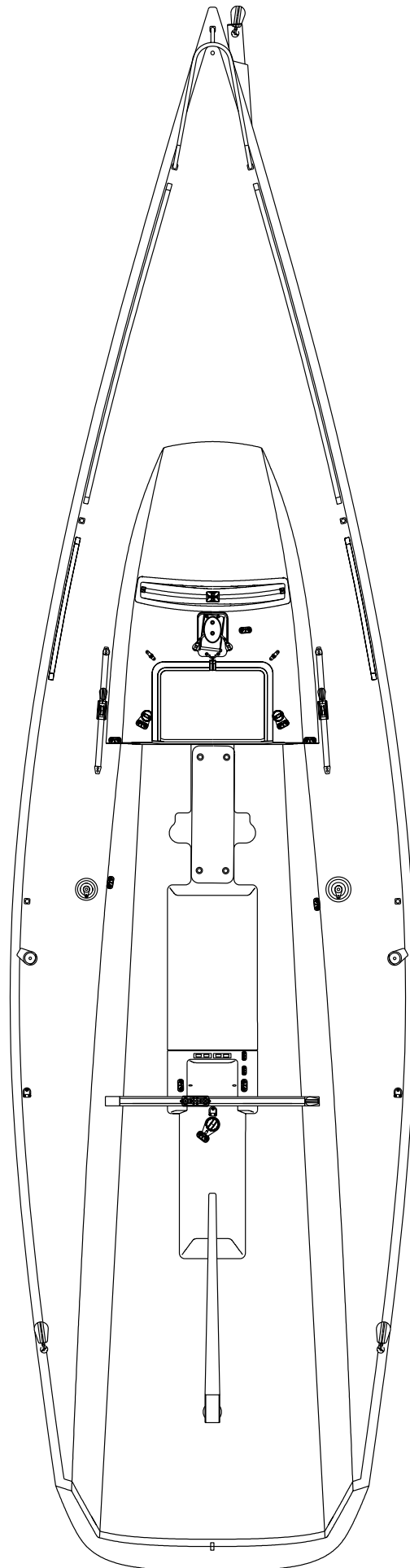
Alle Infos über unsere Boote finden Sie
auch auf unserer Webseite:

esseboats.ch ↘

Construction	Epoxy sandwich	
Total length	8.50 m	27.89 ft
Waterline length	7.98 m	26.18 ft
Max. width	2.20 m	7.22 ft
Displacement	1330 kg	2932 lbs
Ballast	700 / 750 kg	1543 / 1653 lbs
Draught	1.50 m / 2.00 m*	4.92 / 6.56 ft*
Reduced draught	1.50 m	4.92 ft
Sail area in the wind	40 m ²	431 sq. ft
Rig	Carbon	
Gennaker boom	Carbon	
Gennaker	68 m ²	732 sq. ft
Engine	Electric outboard or inboard engine	

*Optional keel length





Best Boatspeeds (kt)

	4	6	8	10	12	14	16	20
32.0	2.59	3.89	4.91	5.49	5.79	5.98	6.10	6.26
36.0	2.95	4.36	5.40	5.90	6.15	6.31	6.43	6.59
40.0	3.26	4.77	5.79	6.19	6.41	6.56	6.68	6.84
45.0	3.61	5.20	6.14	6.47	6.66	6.82	6.94	7.11
52.0	3.99	5.67	6.47	6.75	6.95	7.12	7.27	7.50
60.0	4.32	5.99	6.74	7.02	7.25	7.46	7.63	7.90
70.0	4.56	6.19	6.94	7.32	7.60	7.83	8.03	8.41
80.0	4.83	6.49	7.00	7.59	7.89	8.17	8.46	8.99
90.0	5.10	6.66	7.15	7.62	8.17	8.54	8.90	9.66
100.0	5.20	6.73	7.34	7.79	8.20	8.85	9.31	10.36
110.0	5.11	6.66	7.48	7.99	8.49	9.00	9.56	11.01
120.0	4.81	6.44	7.35	8.14	8.73	9.36	10.03	11.36
135.0	4.05	5.78	6.75	7.58	8.48	9.66	10.57	12.30
150.0	3.11	4.62	5.92	6.75	7.48	8.28	9.34	12.19
160.0	2.60	3.92	5.15	6.18	6.88	7.57	8.32	10.44
170.0	2.32	3.50	4.64	5.70	6.52	7.17	7.84	9.57
180.0	2.19	3.31	4.40	5.43	6.29	6.94	7.58	9.08
Up.Vs	3.60	5.08	5.77	5.99	6.13	6.25	6.34	6.47
Up.Bt	45.0	43.6	39.7	37.1	35.8	35.1	34.7	34.4
Up.Vmg	2.55	3.68	4.44	4.78	4.97	5.11	5.21	5.34
Dn.Vs	3.90	5.42	6.07	6.56	7.31	8.39	10.10	12.58
Dn.Bt	137.3	140.1	147.9	153.6	152.9	148.7	144.2	147.6
Dn.Vmg	2.87	4.16	5.14	5.88	6.50	7.18	8.20	10.62

